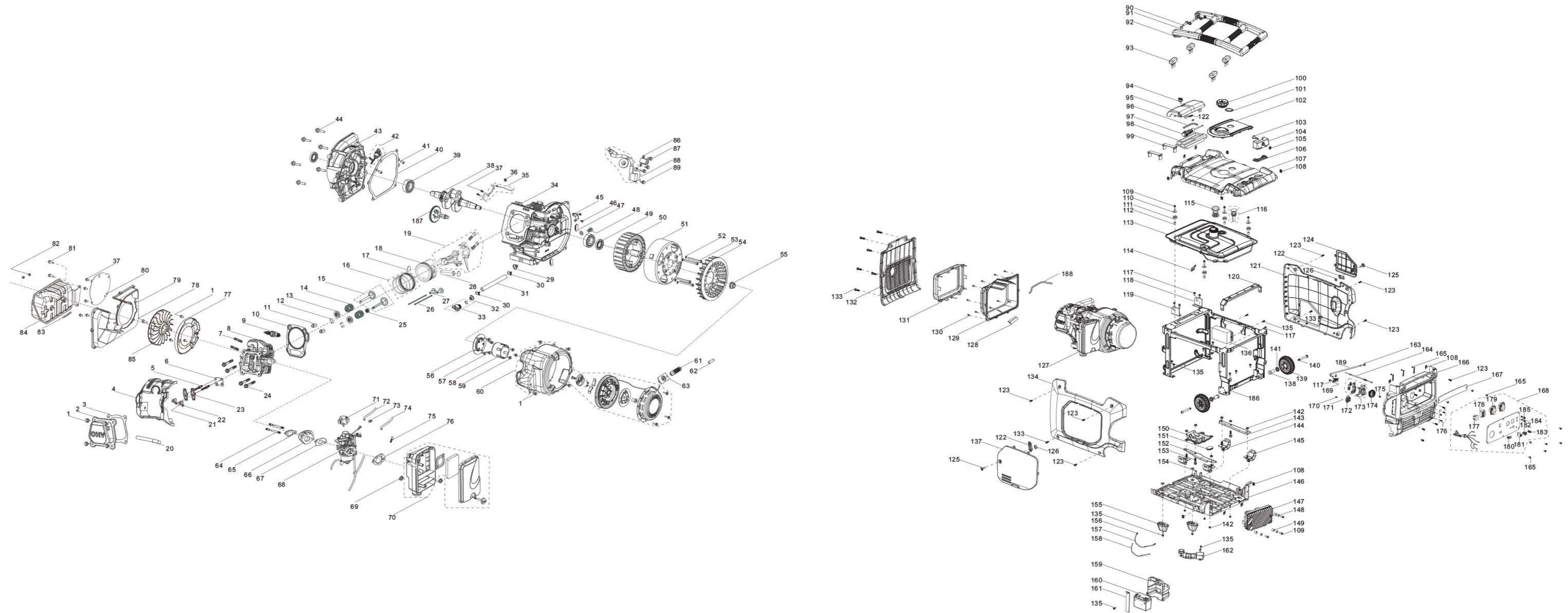




CONTIMAC
e q u i p m e n t

GR3500i Exploded View





GR3500i SERVICE INFORMATION

REF.NO.	PART NO	DESCRIPTION	Q'TY
1	90001-0612-01A0	BOLT	11
2	12410-Z300120-00A0	COVER SUBASSEMBLY, CYLINDER HEAD	1
3	12004-Z010110-00A0	CYLINDER HEAD COVER GASKET	1
4	19304HZ430110-00A0	SHROUD, CYLINDER BODY	1
5	14313-Z010110-00A0	ROCKSHAFT BOLT	2
6	14090-Z010110-00A0	PLATE SUBASSEMBLY, LIFTER STOPPER	1
7	90203-Z010110-01A0	STUD BOLT	2
8	12140-Z430110-00A0	HEAD SUBASSEMBLY, CYLINDER	1
9	30010-Z010110-00A0	PLUG, SPARK	1
10	12131-Z140310-00A0	GASKET, CYLINDER HEAD	1
11	90502-1014-00A0	POSITION PIN	2
12	12109-Z810110-00A0	CLAMP, VALVE LOCK	4
13	12112-Z810210-00A0	SEAT, VALVE SPRING	2
14	12103-Z010110-00A0	SPRING, VALVE	2
15	12110-Z810120-00A9	VALVES SET	1
16	13200-Z140210-00A9	RING ASSY, PISTON	1
17	13122-Z010110-00A0	CLIP, PISTON PIN	2
18	13111-Z140220-00A9	PISTON	1
19	13010-Z440210-00A9	ROD, CONNECTING	1
20	17004-Z430110-00A0	TUBE, BREATHER	1
21	14312-Z010110-00A0	NUT, VALVE LOCK	2
22	14314-Z010110-00A0	NUT, VALVE ADJUSTING	2
23	14311-Z010110-00A0	ROCKER, VALVE	2
24	12003-Z010110-00A0	CYLINDER HEAD BOLT	4
25	12101-Z810210-00A0	GUIDE, SEAL	1
26	14071-Z440110-00A0	LIFTER, VALVE	2
27	14081-Z040110-00A0	TAPPET, VALVE	2
28	13121-Z010110-00A0	PIN, PISTON	1
29	90689-Z430210-00A0	JOINT, FUEL TUBE	1
30	90685-Z120210-00A0	PIPE CLAMP	2
31	11011-Z120110-00A0	TUBE, OIL DRAIN	1
32	90689-Z430110-00A0	JOINT, FUEL TUBE	1
33	15030-Z010130-Q5A0	PLUG SUBASSEMBLY, ENGINE OIL	1
34	11310-Z430120-00A0	CRANKCASE SUBASSEMBLY.	1
35	37060-Z010120-00A0	SENSOR, ENGINE OIL	1
36	90305-Z010210-01A0	HEXAGON NUT WITH FLANGE	1
37	90001-0616-01A0	BOLT	7
38	13300-Z430210-00A0	CRANKSHAFT ASSY.	1
39	90547-0205-KSA0	DEEP GROOVE BALL BEARING	2
40	11001-Z430110-00A0	GASKET, CRANKCASE	1
41	90502-0912-00A0	POSITION PIN	2
42	15010-Z010130-Q5A0	DIPSTICK SUBASSEMBLY, OIL	1
43	11411-Z430110-00A0	COVER, CRANKCASE	1
44	90001-0832-01A0	BOLT	6
45	30033-Z150130-00A0	CLAMP, GENERATOR LEAD WIRE	1
46	90001-0510-01A0	BOLT	2
47	90722-Z430110-00A0	PLUG, END	2
48	11007-Z010110-00A0	BOLT, DRAIN PLUG	1
49	90682-Z010110-00A0	SEAL, OIL	2
50	30120-YCE0110-00A0	STATOR SUBASSEMBLY, MAGNETO	1
51	30110-Y2P0120-00A0	CASE SUBASSEMBLY, MAGNETO ROTOR	1
52	90408-0600-E1A0	FLAT WASHER	4
53	90102-0660-06A0	HEXAGON SOCKET HEAD CAP SCREW	4
54	19352-Z150110-00A0	IMPELLER	1

55	13501-Z010110-00A0	NUT, FLYWHEEL	1
56	28020-Z150120-00A0	SEAT, STARTER CUP	1
57	90001-0614-01A0	BOLT	5
58	28002-Z150110-00A0	PULLEY, STARTER	1
59	90001-0610-01A0	BOLT	3
60	28100-Z430610-01A0	MANUAL STARTING ASSEMBLY	1
61	28211-YBR0110-00A0	SLEEVE, CABLE HANDLE OUTER	1
62	28212-YBR0110-Q2A0	CORE, CABLE HANDLE	1
63	28004-YBR0110-Q2A0	GUIDE SUBASSEMBLY, STARTING ROPE	1
64	90204-Z430110-00A0	STUD BOLT (BM=2D)	2
65	16002-Z010110-00A0	GASKET, CARBURETOR INSULATOR	1
66	16003-Z430110-00A0	PLATE, CARBURETOR INSULATOR	1
67	16001-Z430110-00A0	CARBURETOR SEAL GASKET	1
68	16100-Z430410-00A0	CARBURETOR ASSY.	1
69	90305-0600-31A0	HEXAGON NUT WITH FLANGE	2
70	17100-Z430110-00A4	AIR CLEANER	1
71	14411-Y2V0110-00A0	CAP	1
72	90686-Z430210-00M0	TUBE, FUEL	1
73	90685-Z020110-00A0	PIPE CLAMP	1
74	30431-Z430110-00A0	JACKET, RUBBER	1
75	16652-Z800110-00A0	STRAINER, FUEL	1
76	17001-Z010110-00A0	AIR CLEANER SEAL GASKET	1
77	28110-Y2P0110-00A0	SHROUD	1
78	90001-0820-01A0	BOLT	1
79	18020-Y2P0110-00A0	PLATE, MUFFLER INSULATOR	1
80	18192-Y2P0110-00A0	CLAPBOARD, MUFFLER	1
81	90001-0816-01A0	BOLT	2
82	90303-0800-31A0	HEXAGON NUT	2
83	18001-Z010110-00A0	GASKET, EXHAUST OUTLET	1
84	18100-YBR0110-00A0	MUFFLER ASSY.	1
85	19352-Y2P0110-00A0	IMPELLER	1
86	30130-Z430110-00A0	TRIGGER ASSY.	1
87	90001-0516-01A0	BOLT	2
88	30400-Z430310-00A1	COIL, IGNITION	1
89	90001-0520-01A0	BOLT	2
90	90208-YBR0110-00A0	HEXAGONAL STEP BOLT	2
91	90405-1000-Z3A0	WAVE ELASTIC WASHER	2
92	54110HYBR0110-00A0	HANDLE TUBE ASSY	1
93	35608-YBR0110-00A0	RUBBER DAMPING BLOCK	4
94	80105-YB00110-Q2A0	SPARK PLUG ACCESS DOOR KNOB	1
95	82007-YBR0110-Q2A0	COVER, DECORATED	1
96	93108-YBR0110-01A0	SPANNER, INNER HEXAGONAL	1
97	93120-Y2P0110-00A0	SCREW-DRIVER	1
98	53007-YBR0110-00A0	PAD	1
99	31117-YBR0110-00A0	STRIP, RUBBER	2
100	16730-YBR0110-Q2A0	COVER, FUEL TANK	1
101	37205-Y2V0310-00A0	OPENING, OIL LEVERLER VIEW	1
102	16641-YBR0110-00A0	SLEEVE, FILLING OIL HOLE RUBBER	1
103	90504-YBR0110-00A0	PIN SHAFT	1
104	82007-YBR0210-Q2A0	COVER, DECORATED	1
105	90336-Y2D0110-00A0	HEXAGON NUT	1
106	35671-YBR0110-00A0	WATERPROOF ADHESIVE TAPE	1
107	94230HYBR0110-Q2A0	COVER, UPPER	1
108	17199-YB00110-00A0	CLIP NUT	12
109	90001-0625-01A0	BOLT	7
110	90408-Y020310-00A0	FLAT WASHER - GRADE A	4
111	16601-Y020120-00A0	SLEEVE, FUEL TANK RUBBER	4
112	90683-Y020110-00A0	BUSH	4
113	16620-YBR0110-H7AP	FUEL TANK	1

114	16680-Y2P0110-00A0	OUTLET SUBASSEMBLY, FUEL TANK OIL	1
115	16652-Y9T0110-00A0	STRAINER, FUEL	1
116	37200-YBR0110-00A0	LEVELER ASSY, OIL	1
117	90001-0612-01A0	BOLT	7
118	54102-YBR0110-00A0	HANDLE TUBE CONNECTING SEAT	1
119	54102-YBR0210-00A0	HANDLE TUBE CONNECTING SEAT	1
120	51150-YBR0110-H7A0	CROSSPIECE SUBASSEMBLY	1
121	80095HYBR0110-WMA0	RIGHT HOUSING	1
122	24329-Y9T0120-Q2A0	STOPPER	3
123	90208-YB00210-00A0	HEXAGONAL STEP BOLT	14
124	51197HYBR0110-WMA0	RIGHT ACCESS DOOR	1
125	90208-Y9T0120-00A0	HEXAGONAL STEP BOLT	2
126	90341-YA50110-00A0	NYLON NUT	2
127	R210MI000F6-CTM301	ENGINE	1
128	19081-Y2P0210-00A0	STRIP, SHROUD SEAL	1
129	18130-Y2P0110-Q2A0	MUFFLER OUTER COVER	1
130	90124-Y9T0510-00A0	SELF-TAPPING SCREW	9
131	18018-Y2P0120-00A0	MUFFLER INSULATOR RUBBER 2	1
132	18002HYBR0110-Q2A0	COVER, MUFFLER SIDE	1
133	90208-YB00410-00A0	HEXAGONAL STEP BOLT	12
134	80091HYBR0110-WMA0	LEFT HOUSING	1
135	90001-0616-01A0	BOLT	15
136	35659-YBW0210-00A0	CONTROLLER	1
137	51196HYBR0110-WMA0	LEFT ACCESS DOOR	1
138	44023-YBR0110-00A0	WHEEL SHAFT SLEEVE	2
139	44110-YBR0110-00A0	WHEEL, FRONT	2
140	44020-YBR0110-01A0	SHAFT, FRONT WHEEL	2
141	76352-YBR0110-00A0	DUST-PROOF COVER	2
142	90305-0800-31A0	HEXAGON NUT WITH FLANGE	10
143	51189-Y2P0110-H7A0	DYNAMIC RIGHT SUPPORT	1
144	51011HYBR0110-00A0	CUSHION, ENGINE FRAME RIGHT	2
145	51005HYBR0110-00A0	CUSHION, ENGINE FRAME	2
146	51140-YBR0110-Q2A0	BOTTOM PLATE SUBASSEMBLY	1
147	30043-YCE0110-00A0	INVERTOR	1
148	30431-Y2P0110-00A0	JACKET, RUBBER	3
149	90683-Y2P0210-00A0	BUSH	3
150	19306-Z430110-00A0	DEFLECTOR, CRANKCASE AIR	1
151	90722-Y2P0110-00A0	PLUG, END	1
152	51188-Y2P0110-H7A0	DYNAMIC LEFT SUPPORT	1
153	90001-0840-01A0	BOLT	4
154	90326-Y2V0110-00A0	NUT	2
155	51014HYB00210-00A0	SEAT, ENGINE FRAME SHOCK ABSORPTION	2
156	90685-Z030220-00A0	PIPE CLAMP	2
157	16804-YBR0110-00A0	HOSE, FUEL STEAM RUBBER	1
158	90698-YA60110-00A0	PROTECTIVE RUBBER SLEEVE	1
159	31130HYBR0110-Q2A0	CASE, BATTERY	1
160	31110-Y030610-00A0	BATTERY	1
161	31142-YBR0110-H7A0	CLAMP, BATTERY	1
162	17110-Z430210-00A0	AIR CLEANER INTAKE DUCT ASSEMBLY	1
163	90685-Z030510-00A0	PIPE CLAMP	1
164	16080-Y2P0110-00A0	HANDLE SUBASSEMBLY, CHOKE	1
165	90103-0508-53A0	CROSS-RECESSED PAN HEAD SCREW	11
166	35680-YBR0110-Q2A0	SEAT, PANEL	1
167	35672-YBR0110-Q2A0	TRADEMARK NAMEPLATE	1
168	35610-YCE1810-H3A0	PANEL SUBASSEMBLY, CONTROL	1
169	16750-Y2V0141-00A0	COCK ASSY, FUEL	1
170	16527-Y2V0210-00A0	SPRING, STOPPER ADJUSTING	1
171	90543-0500-00A0	BALL, STEEL	1
172	94111-Y2V0410-00A0	COVER PLATE	1

173	35160-YBR0110-00A0	SWITCH SUBASSEMBLY	1
174	35643HYBR0110-00A0	KNOB	1
175	90103-0416-51A0	CROSS-RECESSED PAN HEAD SCREW	1
176	90129-0416-01A0	CROSS-RECESSED COUNTERSUNK HEAD TAPPING SCREW	3
177	35621-Y020110-0000	BRIDGE, RECTIFICATION	1
178	30700-Y2P0120-0000	IGNITOR	1
179	35614-Y020110-0000	SOCKET SUBASSEMBLY, POWER SUPPLY	2
180	35160-Y0G0110-0000	SWITCH SUBASSEMBLY	1
181	31234-Y020110-0000	PROTECTOR, OVERCURRENT	1
182	35619-Y2V0110-0000	SOCKET SUBASSEMBLY, D.C	1
183	35629-Y2V0110-0000	TERMINAL SUBASSEMBLY, GROUNDING	1
184	35614-Y2P0310-0000	SOCKET SUBASSEMBLY, POWER SUPPLY	1
185	35614-Y2P0210-0000	SOCKET SUBASSEMBLY, POWER SUPPLY	1
186	51100-YBR0110-H7A0	FRAME ASSY, ENGINE	1
187	14200-Z530520-00A9	CAMSHAFT ASSY.	1
188	19081-Y2P0110-00A0	STRIP, SHROUD SEAL	1
189	90686-YBR0110-00M0	TUBE, FUEL	1