



Spareparts

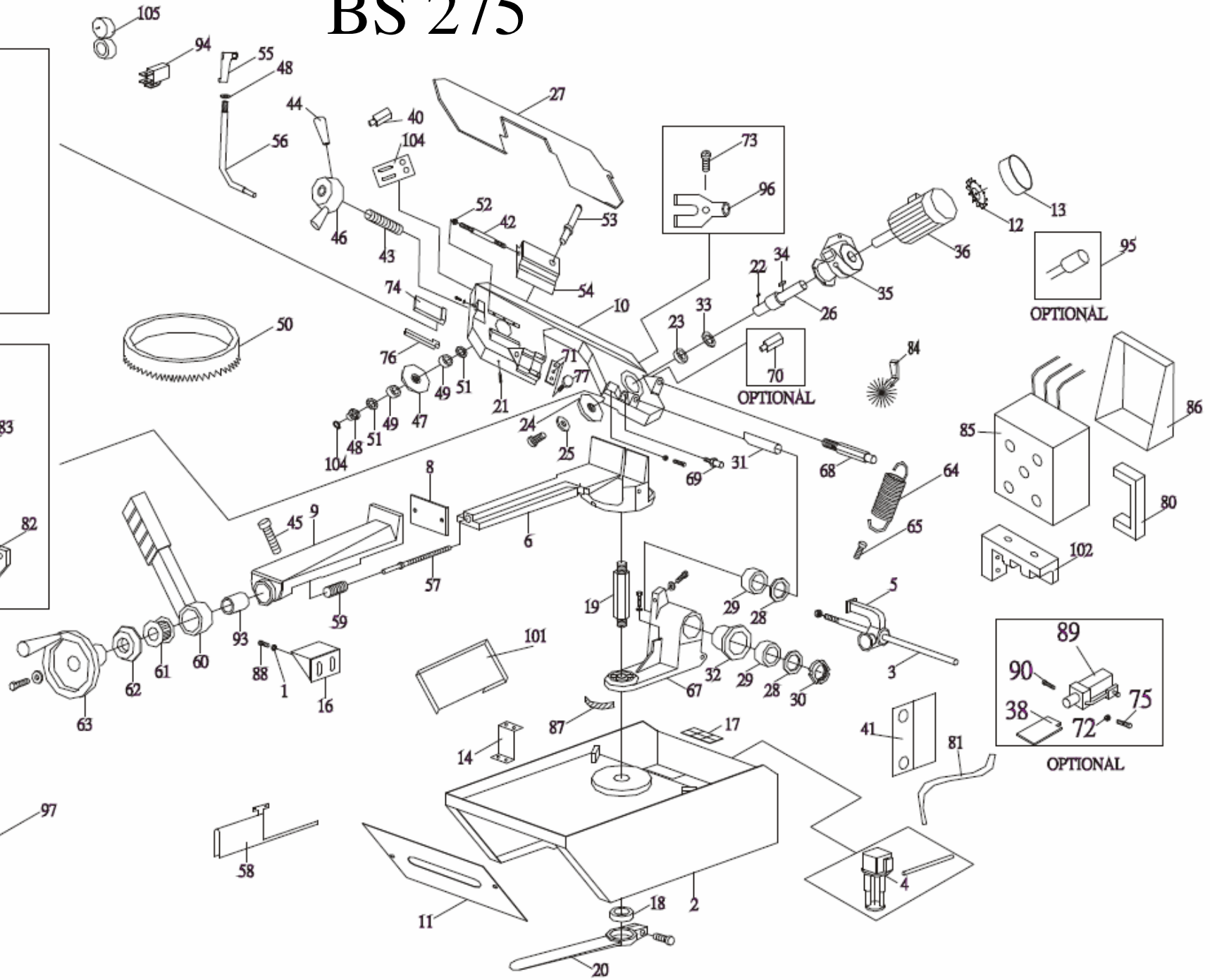
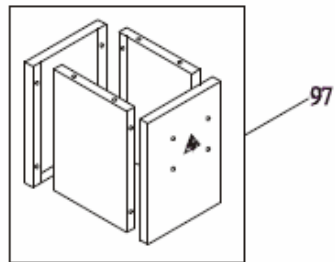
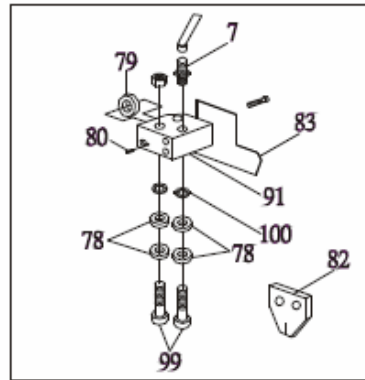
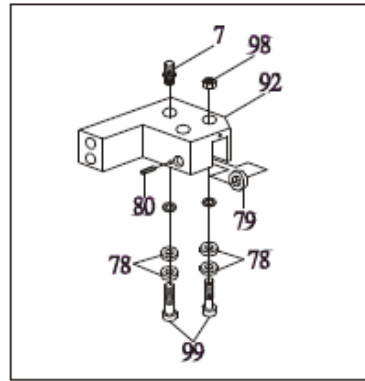


BANDZAAGMACHINE BS 275 vario
SCIE A RUBAN BS 275 vario

CE

Bestelnr./N° de cde. 50021

BS 275



Ref. No.	Description	Ref. No.	Description	Ref. No.	Description	Ref. No.	Description
01	Washer	28	Ring nilons	55	Handle	82	Rust Plate
02	Base	29	Bearing 32006	56	Lever	83	L. Bladeguard
03	Bar stop rod	30	Ring nut M30	57	Vice screw	84	Brush (optional)
04	Cool pump	31	Pivot	58	R. Bladeguard	85	Switch set
05	Bar stop	32	Bearing cover	59	Vice spring	86	Switch Shelf
06	Countervice	33	Washer	60	Vice lever	87	Scale
07	Valve	34	Key 4x25 7mm	61	Bearing	89	Cylinder(optional)
08	Vice jaw	35	Reducer	62	Bearing cover	90	Pin(optional)
09	Vice	36	Motor	63	Vice handwheel	91	Fixed blade guide plate
10	Body frame	37		64	Spring	92	Mobile blade guide plate
11	Casing	38	Plate(optional)	65	Spring connection	93	Bush
12	Motor Fan	39	Plug	67	Revolving arm	94	Toger switch
13	Motor Cover	40	Switch(optional)	68	Rod	95	Condenser(Motor) (optional)
14	Connection Plate	42	Threaded shaft	69	Stop bolt	96	Coolant distributor
16	Arm	43	Spring washer	70	Micro switch(optional)	97	Stand
17	Filter	44	Grip	71	Block	98	Nut M10
18	Bush	45	Pin	72	Hex. nuts	99	Guide pivots
19	Pin	46	Handwheel	73	Rubber connection	100	Washer
20	Lever	47	Return flywheel	74	Arm	101	Plate
21	Knob	48	Hex. Nut	75	Bolt	102	Bracket
22	Key 7x7 7mm	49	Bearings 2Z/6205 6205	76	Blade guard	104	Blade Tension Guide
23	Bearing	50	Saw blade	77	Handle	105	Blade Tension Gauge (optional)
24	Motor flywheel	51	C-ring	78	Bearing 6082Z 608		
25	Washer	52	Hex, nuts.	79	Bearing 6082Z 608		
26	Shaft	53	Blade sheel shaft	80	Handle		
27	Blade cover	54	Block blade tension	81	Water Pipe		