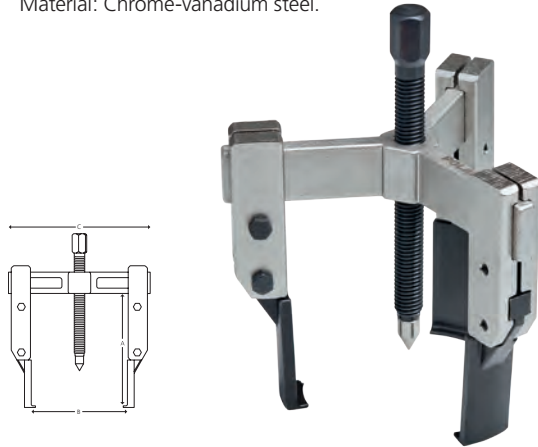




**8486 3-JAW PULLER WITH NARROW JAWS**

- The thin pulling hooks are suitable for narrow, difficult-to-access locations.
- The puller can be used both internally and externally.
- Surface: Nickel-plated. Burnished spindle.  
Material: Chrome-vanadium steel.

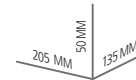


ITEM NO.	5704196+	A MM	B MM	C MM	KG	
8486-0105	036540	110	125	170	1,9	1
8486-0145	036557	145	125	170	2,5	1
8486-0195	036533	195	125	170	3,1	1

**8489 S/25 BOLT EXTRACTOR SET**

ITEM NO. 8489-0514

- Thread size: M5-M16.
- Supplied in plast case.
- 25 tools.



5704196 036588

0,7 KG 1

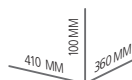
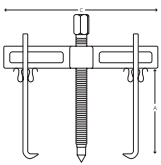
CONTENT:

QTY.	DESCRIPTION	SIZE
5	Profile pins	4, 5, 6, 7,5 og 8.5 mm
5	Drills	M5, M6-M6, Ø7-M8, M8-3/8", M8-1/2", Ø9-M10, M10-7/16", Ø11-M12, M12-M14, M14-M16
10	Guides	10, 13, 14, 16, 18 mm
5	Nuts	

**8487 S/9 2-ARM PULLER SET**

ITEM NO. 8487-0004

- Farm and workshop puller set.
- With 4 pairs of jaws of varying lengths.
- Supplied in plast case.
- 9 tools.



5704196 036571

6,5 KG 1

CONTENT:

QTY.	DESCRIPTION	SIZE
1	Pulling device	
4	Jaws set	111 x 30 / 145 x 30 / 186 x 30 / 182 x 12,5 mm



4-IN-1