



8475 SEPERATORS

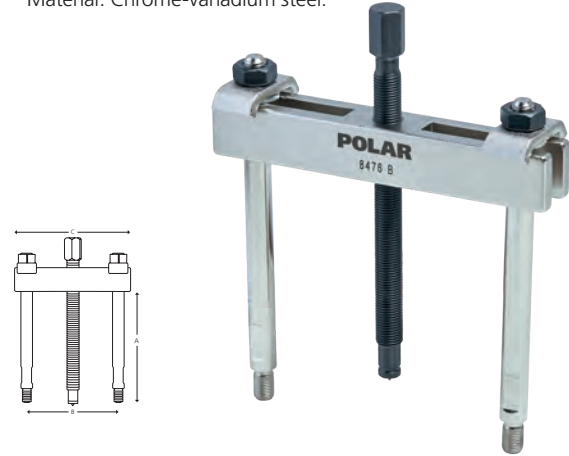
- For removing ball bearings, roller bearings, inner races and other tight parts.
- Used in tight spaces, where pulling hooks cannot be used.
- Surface: Chrome plated. Material: Chrome-vanadium steel.



ITEM NO.	5704196+	A	B	C	KG	
		MM	MM	"		
8475-0060	036335	4-60	60	3/8"	0,7	1
8475-0080	036342	6-80	80	3/8"	1,3	1
8475-0110	036359	10-110	110	5/8"	2,7	1
8475-0134	036366	12-134	155	5/8"	5,7	1

8476 PULLING DEVICES

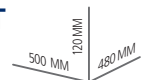
- Surface: Chrome plated.
- Material: Chrome-vanadium steel.



ITEM NO.	5704196+	A	B	C	KG	
		MM	MM	MM		
8476-0110	036373	115	46-110	122	1,0	1
8476-0140	036380	115	46-140	156	1,0	1
8476-0195	036397	175	62-195	210	3,0	1
8476-0245	036403	175	70-245	260	3,5	1

8478 S/62 BALL BEARING EXTRACTOR SET

ITEM NO. 8478-0001



5704196 036410
7,5 KG 1



- For ISO 6000 to ISO 6406 deep groove ball bearings.
- Supplied in plast case.
- 62 tools.



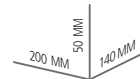
CONTENT:

QTY.	DESCRIPTION	SIZE
3	Ball bearing extractors	
4	Pulling hooks for ISO 6000-6003, 6200	160 mm
4	Pulling hooks for ISO 6004-6006, 6201-6203, 6300	160 mm
4	Pulling hooks for ISO 6204-6205, 6301-6303	180 mm
4	Pulling hooks for ISO 6007-6013	196 mm
4	Pulling hooks for ISO 6011-6012, 6206-6207, 6304-6306	196 mm
4	Pulling hooks for ISO 6208-6210, 6307, 6403, 6407	237 mm
4	Pulling hooks for ISO 6211-6212, 630-6311, 6404-6408	239 mm
22	Support rings	
6	Accessories	

8479 BALL BEARING PULLER SET

ITEM NO. 8479-0001

- For ISO 6004-6010, 6200-6205, 6300-6304 and 61812-61816 bearings.
- Supplied in plast case.
- 14 tools.



5704196 036427
0,9 KG 1

CONTENT:

QTY.	DESCRIPTION	MODEL/SIZE
1	Pulling device	8479
3	Extension sets	40 - 95 - 105 mm
3	Adaptor sets	Ø 5,3 x 3,2 - Ø 6 x 4,1 - Ø 8 x 5,1 mm

