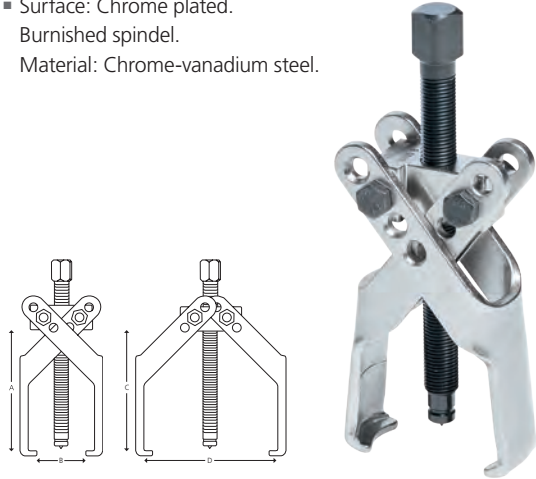




8465 2-ARM PULLER WITH PARALLEL CROSSARMS

- External puller for use in limited spaces.
- Surface: Chrome plated. Burnished spindle. Material: Chrome-vanadium steel.



ITEM NO.	5704196+	A	B	C	D	KG	
		MM	MM	MM	MM		
8465-0055	036137	90	55	90	95	0,3	1
8465-0070	036144	125	70	120	125	0,8	1
8465-0080	036151	125	80	160	125	1,0	1

8467 COMBI PULLER WITH SLIDEHAMMER

- Internal and external puller.
- Surface: Chrome plated. Burnished spindle. Material: Chrome-vanadium steel.

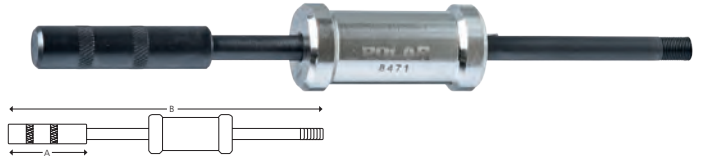


ITEM NO.	5704196+
8467-0001	036175

KG	
2	1

8471 SLIDEHAMMER

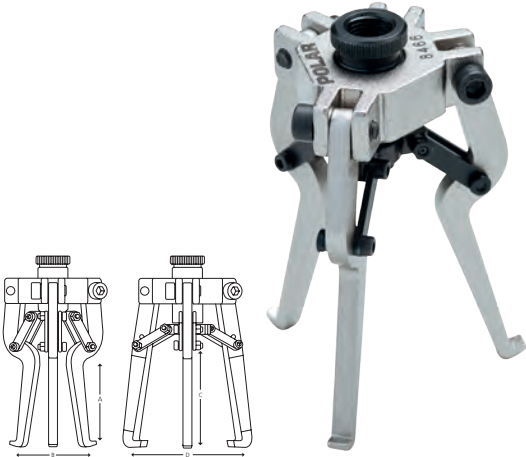
- Surface: Chrome plated. Burnished spindle. Material: Chrome-vanadium steel.



ITEM NO.	5704196+	A	B	THREAD SIZE	KG	
		MM	MM			
8471-0001	036298	90	360	1/2"	1,4	1

8466 2- & 3-ARM COMBI PULLER

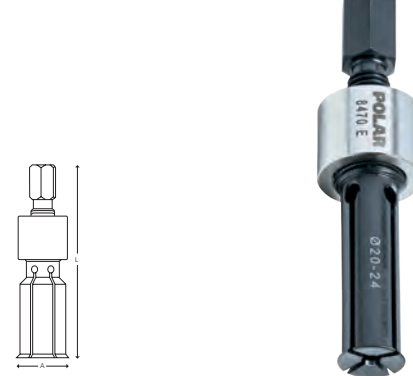
- Internal and external puller.
- Used together with slidehammer (8471).
- Surface: Chrome plated. Burnished spindle. Material: Chrome-vanadium steel.



ITEM NO.	5704196+	A	B	C	D	KG	
		MM	MM	MM	MM		
8466-0001	036168	45	25-100	60	0-75	0,5	1

8470 INTERNAL EXTRACTOR

- Surface: Chrome plated. Burnished spindle. Material: Chrome-vanadium steel.



ITEM NO.	5704196+	A	B	L	KG	
		MM	MM	MM		
8470-0507	036182	5-7	27	82	0,1	1
8470-0811	036199	8-11	40	90	0,1	1
8470-1214	036205	12-14	64	108	0,3	1
8470-1519	036212	15-19	64	125	0,3	1
8470-2024	036229	20-24	65	125	0,3	1
8470-2529	036236	25-29	65	125	0,4	1
8470-3037	036243	30-37	65	125	0,4	1
8470-3846	036250	38-46	65	125	0,5	1
8470-4754	036267	47-54	88	175	1,3	1
8470-5564	036274	55-64	89	175	1,6	1
8470-6576	036281	65-76	89	175	2,0	1