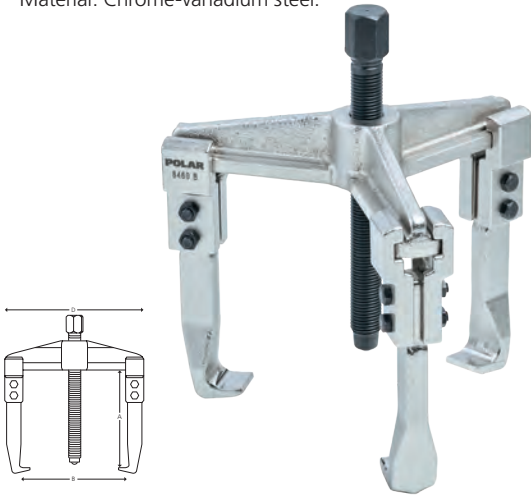




8460 3-ARM PULLERS

- External puller.
- Surface: Chrome plated. Burnished spindle.
- Material: Chrome-vanadium steel.



ITEM NO.	5704196+	A MM	B MM	C MM	MAX. TON	KG	
8460-0095	035901	100	35-95	134	3,0	1,3	1
8460-0135	035918	100	38-135	176	3,0	1,7	1
8460-0165	035925	150	42-165	223	7,0	4,7	1

8461 2- & 3-ARM COMBI PULLERS

- External puller with self-centering jaws.
- Surface: Chrome plated. Burnished spindle.
- Material: Chrome-vanadium steel.



ITEM NO.	5704196+	A MM	B MM	2+3 ARMS	MAX. TON	KG	
8461-0110	035932	120	125	✓	1,0	0,8	1
8461-0175	035949	210	220	✓	4,0	2,1	1
8461-0240	035956	270	280	✓	7,0	6,7	1
8461-0350	035963	410	350	✓	10,0	14,5	1
8461-0480	035970	500	480	-	17,0	31,5	1
8461-0650	035987	600	680	-	30,0	55,5	1



8461 S/3 DISPLAY WITH 3 PULLERS

ITEM NO. 8461-0003

- Supplied in practical metal stand.

13 KG

5704196 035994

1



CONTENT:

QTY.	DESCRIPTION	MODEL	SIZE MM
1	Combi puller	8461-0110	125
1	Combi puller	8461-0175	220
1	Combi puller	8461-0240	280