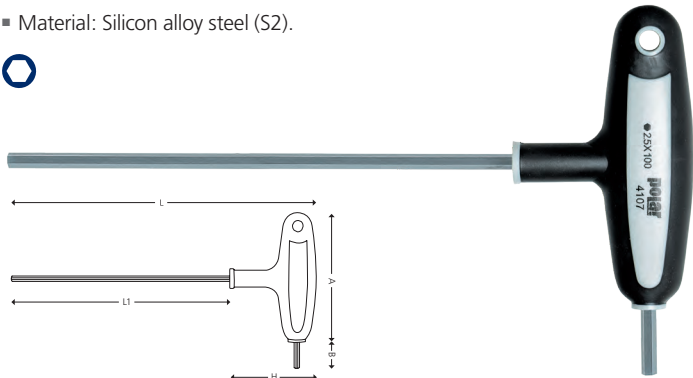


POLAR® SCREWDRIVERS AND BITS



4107 T-HANDLE HEX SCREWDRIVERS

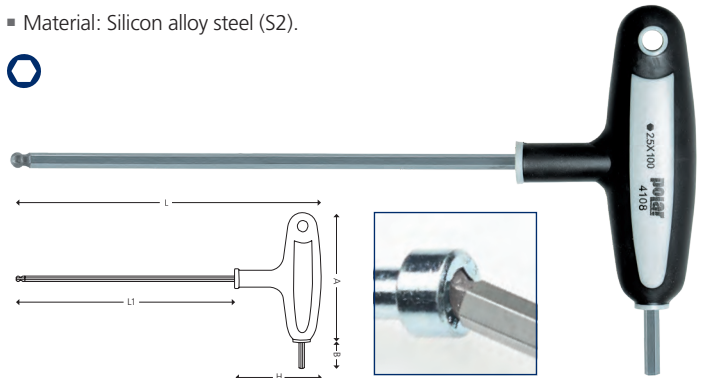
Material: Silicon alloy steel (S2).



ITEM NO.	5704196+	SIZE MM	A MM	B MM	H MM	L MM	L1 MM	G	
4107-0002	028606	2	90	18	60	160	100	39	10
4107-0005	028613	2,5	90	18	60	160	100	42	10
4107-0003	028620	3	90	18	60	160	100	46	10
4107-0004	028637	4	90	18	60	210	150	60	10
4107-0005	028644	5	90	18	60	210	150	75	10
4107-0006	028651	6	115	20	68	218	150	119	10
4107-0008	028675	8	115	20	68	268	200	187	10
4107-0010	028682	10	115	20	68	268	200	267	10

4108 T-HANDLE HEX SCREWDRIVERS WITH BALL POINT

Material: Silicon alloy steel (S2).



ITEM NO.	5704196+	SIZE MM	A MM	B MM	H MM	L MM	L1 MM	G	
4108-0002	030128	2	90	18	60	160	100	39	10
4108-0005	030135	2,5	90	18	60	160	100	42	10
4108-0003	030142	3	90	18	60	160	100	46	10
4108-0004	030159	4	90	18	60	210	150	60	10
4108-0005	030166	5	90	18	60	210	150	75	10
4108-0006	030173	6	115	20	68	218	150	119	10
4108-0008	030180	8	115	20	68	268	200	187	10
4108-0010	030197	10	115	20	68	268	200	267	10

4197 T-HANDLE SCREWDRIVER SET - HEX

Supplied in practical holder.



ITEM NO.	5704196+	QTY.	SIZE MM	G	
4197-0008	028682	8	2 - 2,5 - 3 - 4 - 5 - 6 - 8 - 10 mm	1140	1

